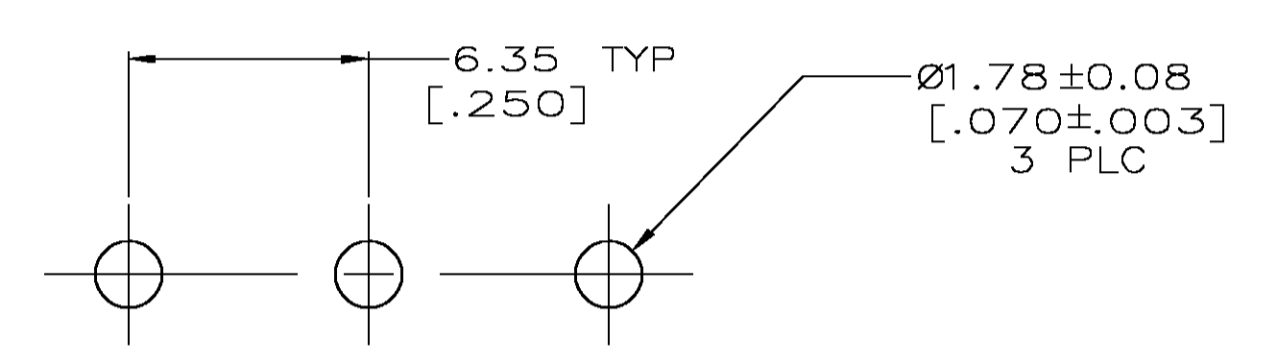
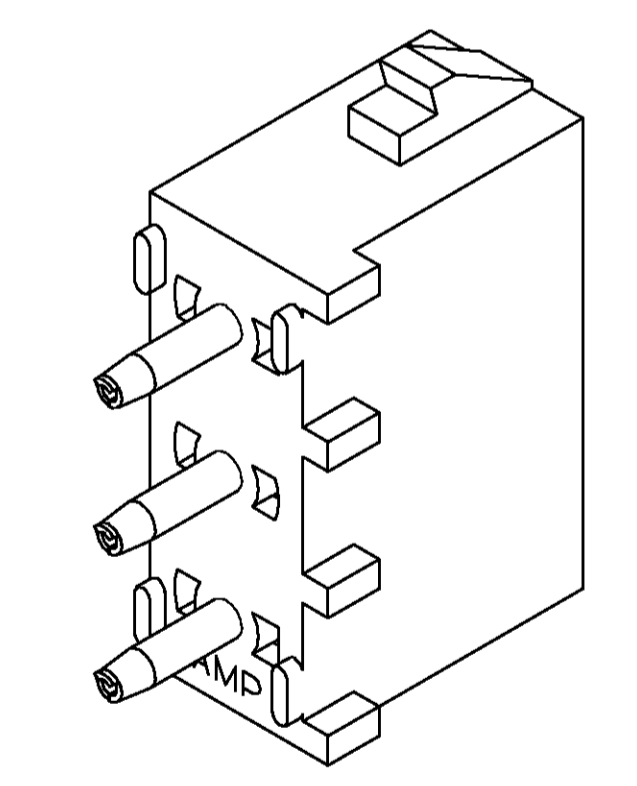
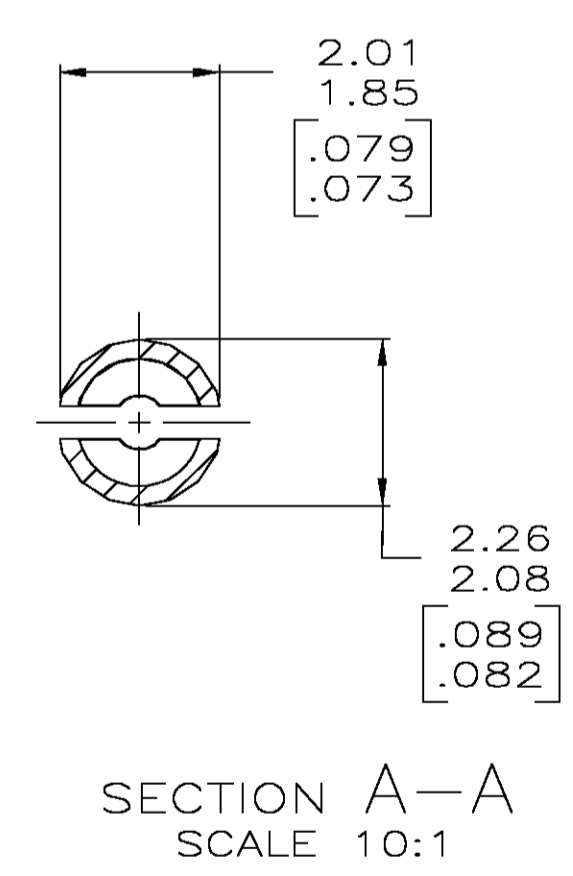
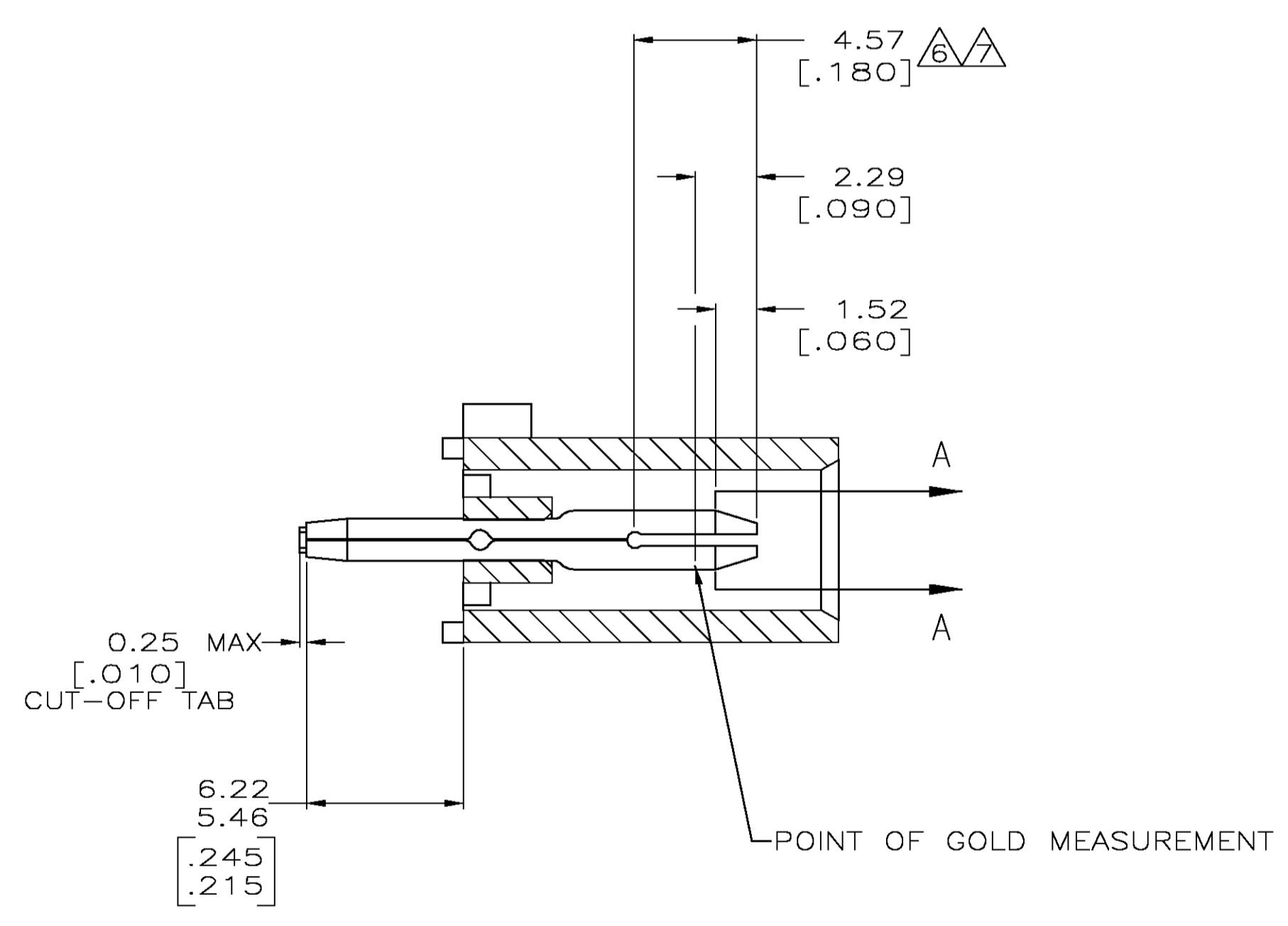


- PARTS COMPLY WITH AMP SOLDERABILITY SPECIFICATION 109-11-3.
- DIMENSIONS IN BRACKETS ARE IN INCHES.
- CIRCUIT IDENTIFICATION CHARACTERS ARE ADJACENT TO THE INDICATED CAVITIES, BUT LOCATION AND ORIENTATION MAY DIFFER FROM PRINT.
- CONTACT IS PLATED OVERALL WITH .00050[0.00127] NICKEL, THEN .00030[0.00076] GOLD OVER CONTACT LENGTH INDICATED AND MATTE TIN LEAD ON SOLDER TAIL END.
- CONTACT IS PLATED OVERALL WITH .00050[0.00127] NICKEL, THEN .00030[0.00076] GOLD OVER CONTACT LENGTH INDICATED AND MATTE TIN ON SOLDER TAIL END.



RECOMMENDED MOUNTING HOLE PATTERN FOR 3.18 [.125] THICK P.C. BOARD



3-DIMENSIONAL MODEL NTS

PHOSPHOR BRONZE, GOLD	NYLON,UL94V-2,NATURAL	350583-4
PHOSPHOR BRONZE, GOLD	NYLON,UL94V-2,NATURAL	350583-2
PHOSPHOR BRONZE, PRE-TIN	NYLON,UL94V-2,NATURAL	350583-1
PIN CONTACT MATERIAL AND FINISH	HOUSING MATERIAL	PART NUMBER

THIS DRAWING IS A CONTROLLED DOCUMENT.		DNW R. VESTAL 2-19-97	2-19-97	Tyco Electronics Corporation Greensboro, NC 27409
DIMENSIONS: mm [INCHES]		CHK R. SWING	APVD	
TOLERANCES UNLESS OTHERWISE SPECIFIED:		NAME		PIN HEADER ASSEMBLY, 3 CIRCUIT, UNIVERSAL MATE-N-LOK™
0 PLC ± -		PRODUCT SPEC		
1 PLC ± -		APPLICATION SPEC		SIZE
2 PLC ± 0.13 [.005]		WEIGHT		CAGE CODE
3 PLC ± -		CUSTOMER DRAWING		DRAWING NO
4 PLC ± -		SCALE		RESTRICTED TO
ANGLES ± -		SHEET		REV
FINISH		SCALE 5:1		1 OF 1
MATERIAL SEE TABLE		SHEET 1 OF 1		REV U
SEE TABLE		SCALE 5:1		
		SHEET 1 OF 1		
		REV U		

